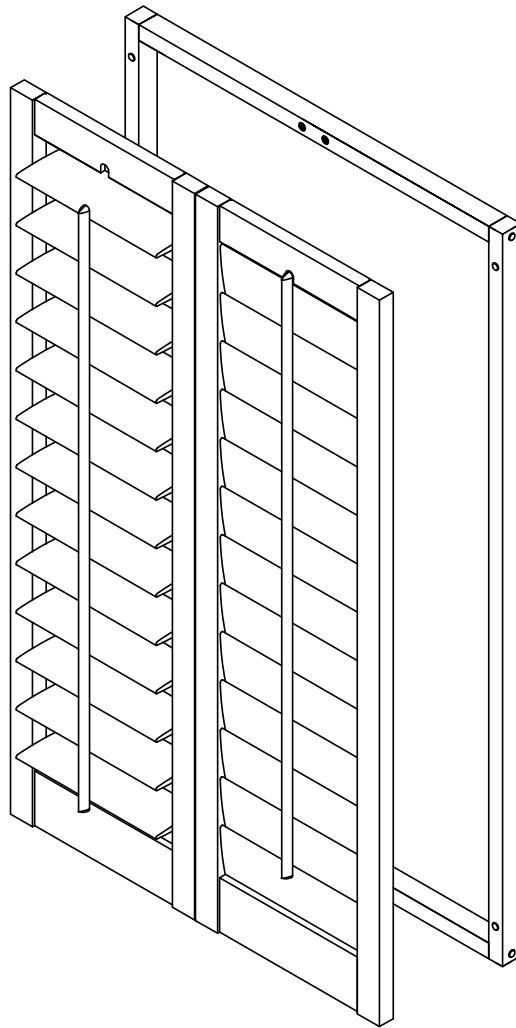




Installation Guide

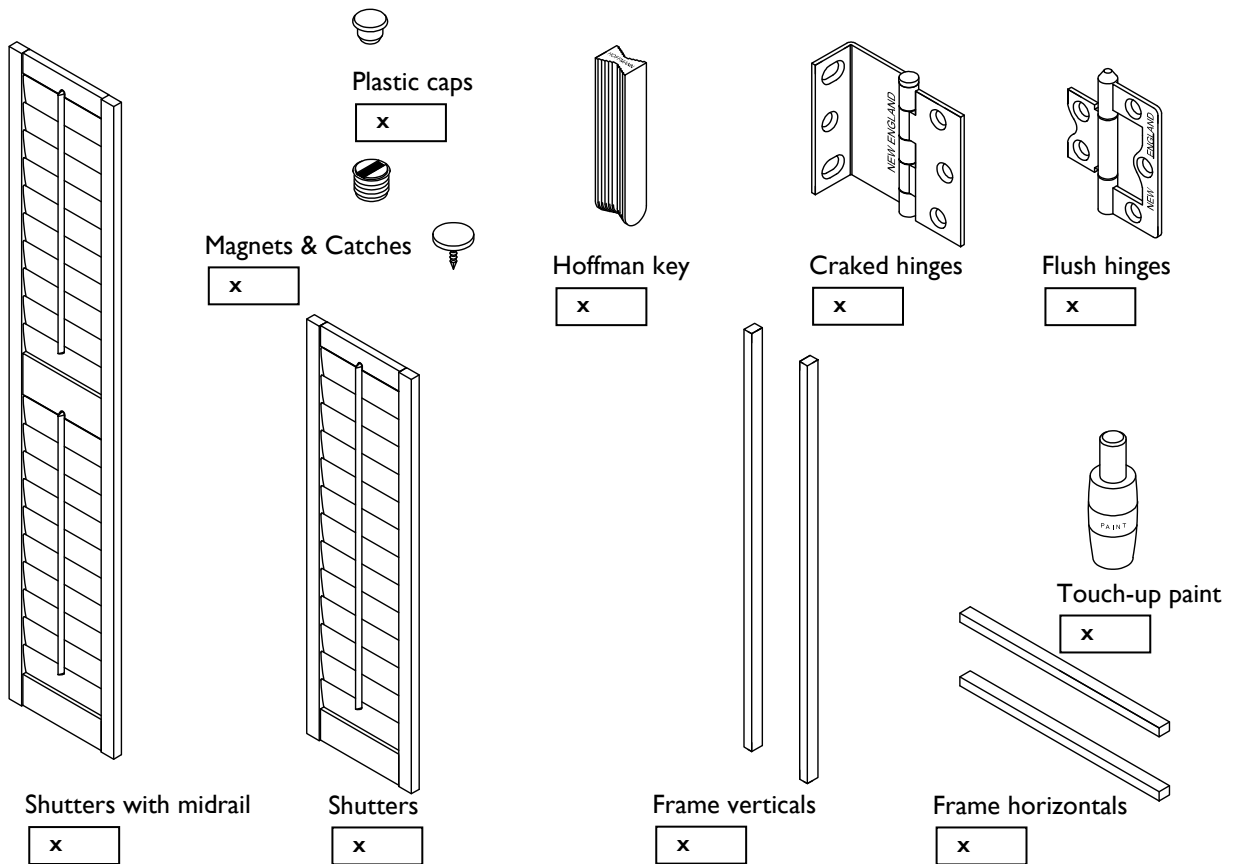


KANDAS SHUTTERS

Jebel Ali Industrial area 1, Dubai, UAE, PO Box 62466

Ph: +971 48855711, Email: sales@kandasshutters.com

Check Your Parts



Tools Required

Tape measure
 Sharp pencil/gauge marker
 Spirit level
 Hammer
 Screwdriver
 PZ1 & PZ2 bits
 Drill bits 2mm, 8mm & 12mm

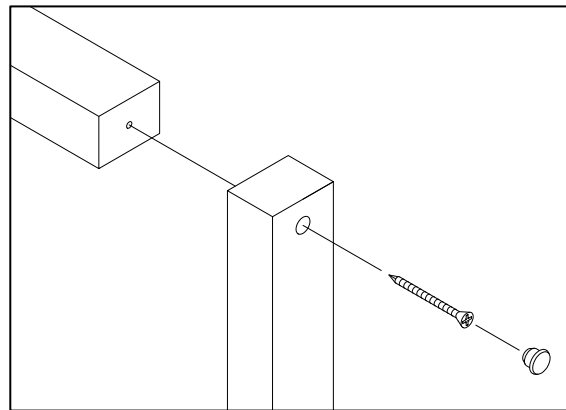
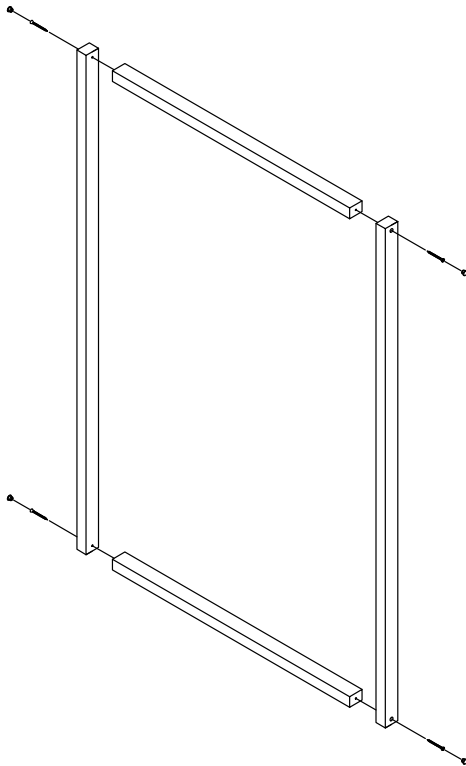
Screws Required

Can be supplied:
 3mmx20mm (PZ1) – hinges
 3.5mmx17mm (PZ2) - hinges
 4mmx50mm (PZ2) - frame
Not supplied:
 Wall fixing screws, size as appropriate (5mmx50-70mm)

Before starting installation ensure all parts are accounted for and you have all the relevant tools and screws.

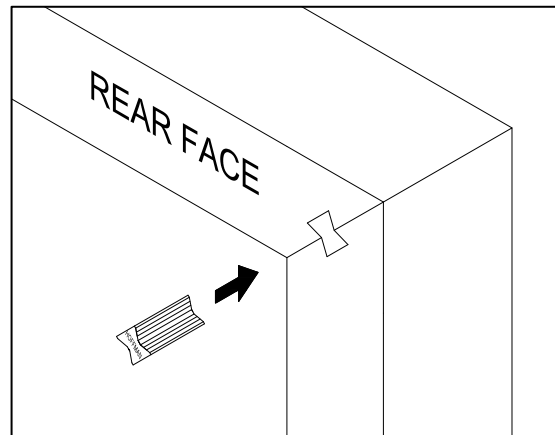
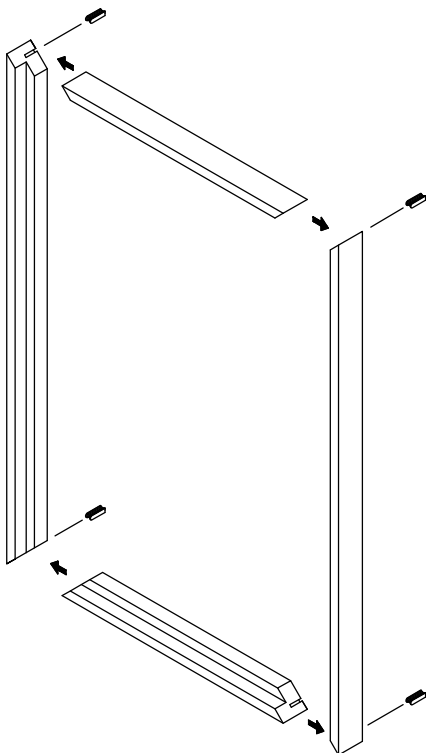
I. Assembling the Frame

a) Batten Frame



When assembling a batten frame first drill pilot holes using a 2mm drill bit. A shallow larger hole of 8mm is then drilled to house the screw heads. Using four 4mmx50mm screws to then fix the frame together as indicated. Then to finish insert the plastic caps to conceal the screw holes.

b) L or Z Frame



Fixing method is identical for both L and Z frames; please note the pictures above show the assembly of an L frame. L and Z frames have mitred corners and are fixed using a Hoffman key through rear of the frame. The Hoffman wedges are designed to fit very tightly, a hammer and block of wood may be needed to tap them into place.

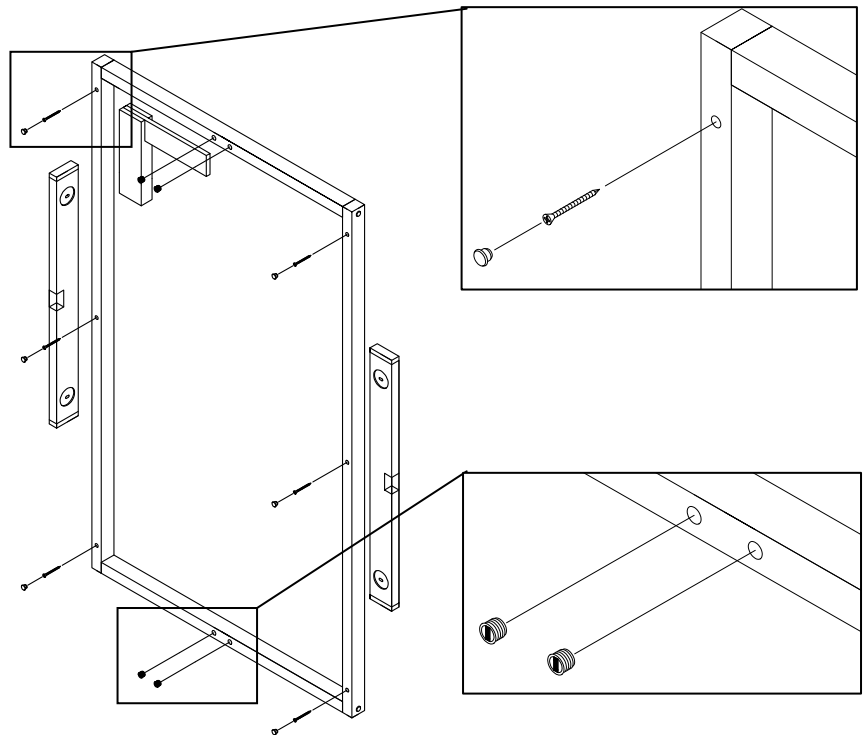
If a three sided Z or L frame is being used with a bottom batten light stop, fit this batten to the Z/L frame with the method outlined in 1a).

2. Mounting Frame to Wall

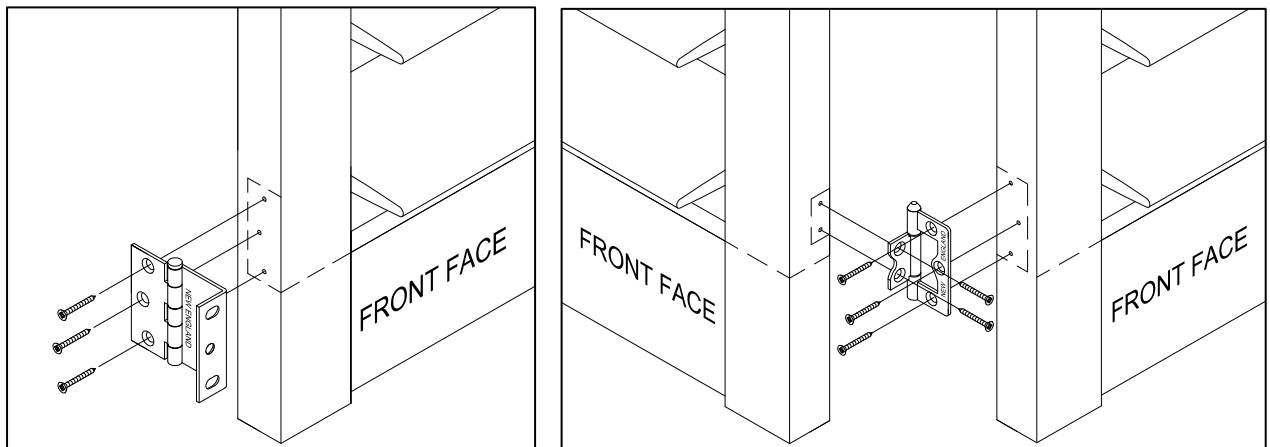
!Warning! Please check for any hidden cables when drilling holes in walls.

Hold frame up to walls or window. Using a spirit level, ensure frame is both square and plum. Mark position and fix to wall or window with appropriate screws. 2mm pilot holes and 8mm shallow screw head holes should also be drilled prior. A masonry drill and wall raw plugs may be required for the fixing. Each vertical should be fixed in three places. Use the caps provided to conceal holes.

Magnet holes are drilled out with a 12mm bit. These should both be positioned half the style width either side the centre of the frame.

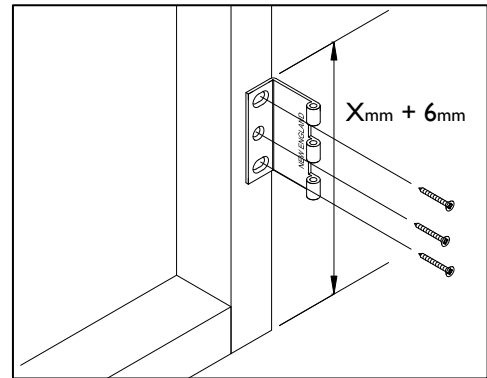
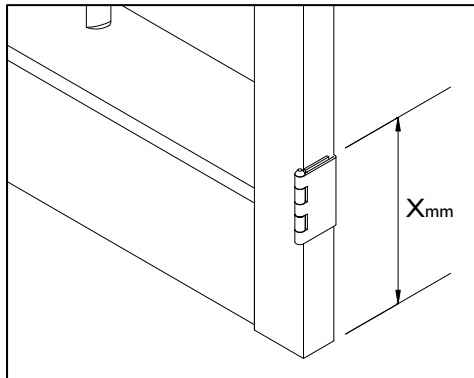


3. Fitting Hinges to Shutters



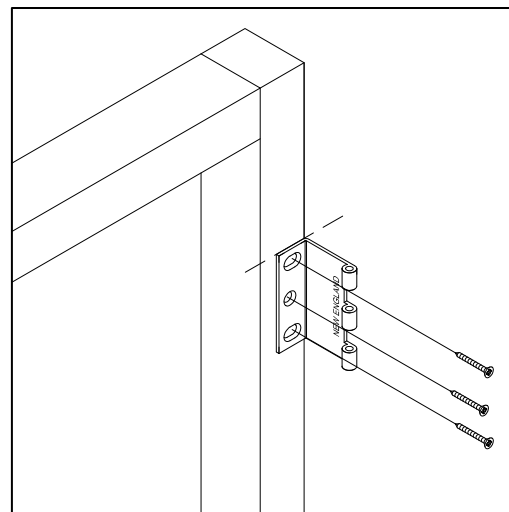
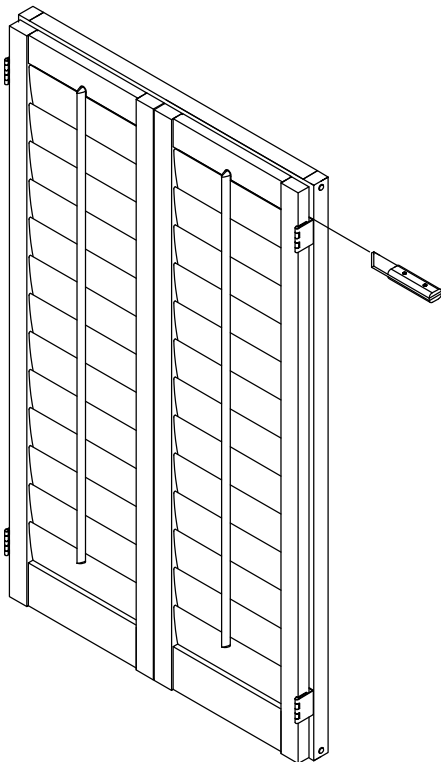
Using the 3mmx20mm PZ1 screws, attach the hinges to the sides of the shutters. Ensure that the bottom of the hinge is in line with the top of the shutters rail, this is predominantly for visual appeal. It is also very important to not place the hinge too tight to shutters style edge, otherwise the hinge may be restricted to open fully.

4. Fitting Bottom Hinge to Frame



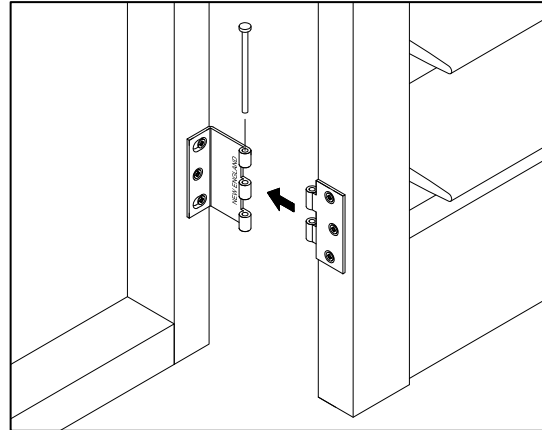
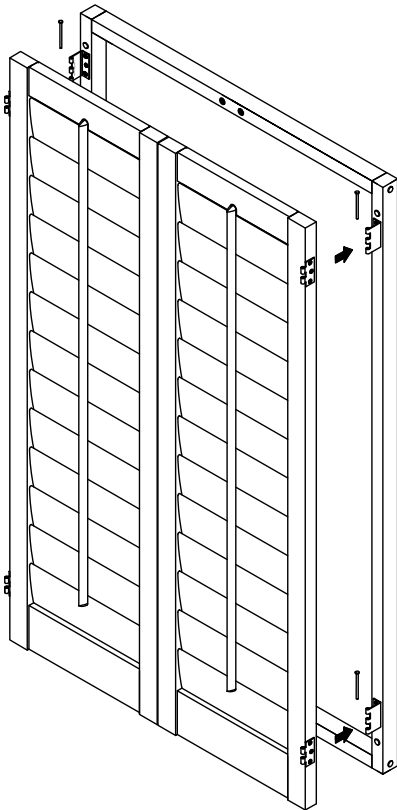
Measure the distance of the top of the hinge from the bottom of the shutter (X). Then position the hinge arm so that it is 6mm higher than the hinge on the shutter ($X+6\text{mm}$), this height gives the shutter clearance above the window sill. The hinge should be fixed by drilling a small 2mm pilot hole and using the 3.5mmx17mm PZ2.

5. Fitting Top Hinge to Frame



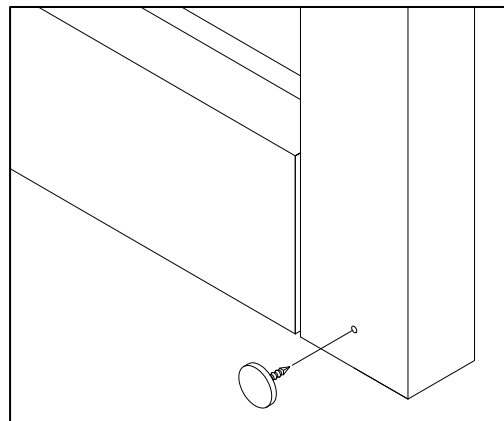
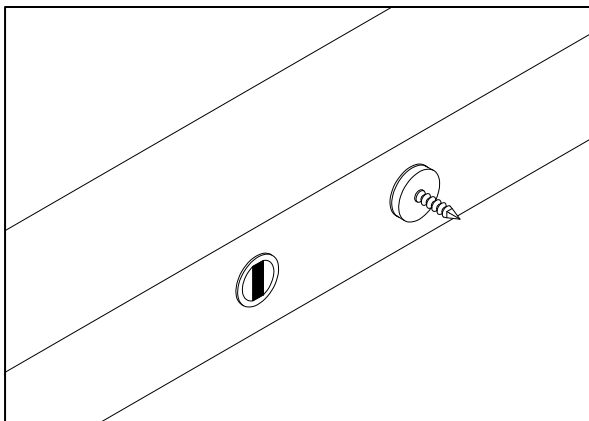
With the bottom hinge fixed the shutters are then hung by marrying the bottom hinges. The position of the top hinge can now be marked, as shown above. The shutters are then taken off the frame, hinges separated and hinge arms fixed again by drilling a small 2mm pilot hole and using the 3.5mmx17mm PZ2 screws. If a third hinge is desired then fix using this same fitting method.

6. Marrying Shutters



With the hinge arms attached to the frame the shutters can now be hung. Panels are hung one at a time, for this they are held in position and hinge pin inserted to marry the two hinge parts together.

7. Magnetic Catches



The last stage of the installation is to attach the magnet catches to the shutters. For this the catch is placed on the magnet as shown above left. The shutter is then closed onto the pointed end of the catch leaving a marking position. A 2mm pilot hole should then be drilled through this mark and catch can then be lightly tapped in with a hammer. Ensure the catch is not hammered too far and is left with a little movement.